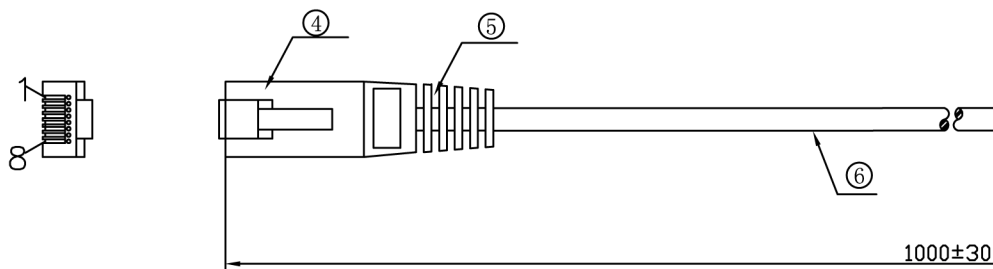
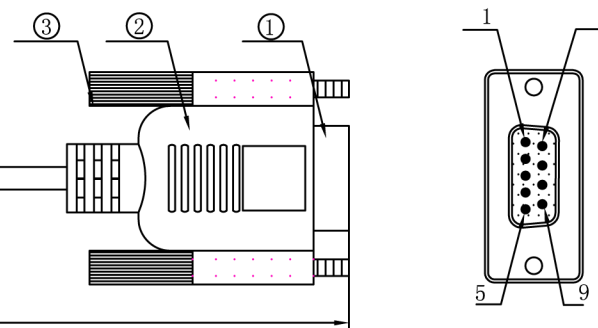


ITEM:DB9F-RJ45-X-1M-BLACK

NO	Drawing	Date	Ver.	Change records
1	Huang	2014-02-12	A	
2				



P1: RJ45



P2:DB9F

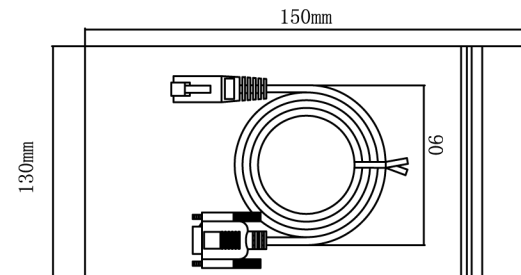
1.Contact figure

P1	P2
1	8
2	6
3	2
4	5
5	5
6	3
7	4
8	7

2.ELECTRICAL PROPERTIES

- A.Hi-Pot: 300V
- B.Contact Resistance: 5MΩ
- C.Insulation Resistance: 5Ω

3.Packing



 Shenzhen Longgang District Hongkai Factory

Customer	Item No.	Page 1/1	
Drawing Huang	Item name DB9F TO 8P8C	Rate 1:1	
Check	Drawing Numbers	Ver. A	Unit mm
Approved	Date 2014-02-12	PART NO.	

ITEM	DESCRIPTION	QTY.	UNIT
1	DB9 Female Connector	1	PC
2	Black Molded PVC Hood	1	PC
3	Black Molded #4/40 PVC Thumbscrew	2	PC
4	RJ45 8P8C PLUG	1	PC
5	Black Molded PVC Hood	1	PC
6	CAT.5 UTP 24AWG*4PIARS OD:5.5mm Black PVC Jacket L:1000mm	SEE	DWG.