

8-Port Console Server

# SCG-5608 User Manual

Version 1.1

Sollae Systems

<https://www.eztcp.com>

# Contents

- 1 Overview ..... - 3 -**
- 1.1 Introduction ..... - 3 -
- 1.2 Features ..... - 3 -
- 1.3 Applications ..... - 3 -
- 1.4 Specifications ..... - 5 -
- 1.5 Interfaces ..... - 6 -
- 1.5.1 Power ..... - 6 -
- 1.5.2 Function Button ..... - 7 -
- 1.5.3 SETUP Port ..... - 7 -
- 1.5.4 Ethernet ..... - 7 -
- 1.5.5 RS232 Port ..... - 8 -
- 1.5.6 LED ..... - 9 -
- 2 Preparation ..... - 10 -**
- 2.1 Installing the Setting Tool ..... - 10 -
- 2.2 Connecting a Product ..... - 10 -
- 2.3 Searching Devices ..... - 10 -
- 2.4 Logging in ..... - 10 -
- 3 Settings ..... - 11 -**
- 3.1 Network ..... - 11 -
- 3.1.1 Obtain an IP address automatically..... - 11 -
- 3.1.2 Use a Static IP address..... - 12 -
- 3.2 General ..... - 13 -
- 3.2.1 Comment ..... - 13 -
- 3.2.2 TCP/IP ..... - 13 -
- 3.2.3 Advanced ..... - 14 -
- 3.2.4 Serial Port ..... - 16 -
- 3.3 Security ..... - 17 -
- 3.3.1 Password ..... - 17 -
- 3.3.2 Certificate ..... - 17 -
- 3.3.3 spFinder ..... - 17 -
- 3.3.4 Client ID ..... - 18 -
- 4 Management ..... - 19 -**
- 4.1 Checking Status ..... - 19 -
- 4.1.1 Product Information ..... - 19 -
- 4.1.2 Communication Status ..... - 20 -
- 4.1.3 Timeout ..... - 21 -
- 4.1.4 Copy status ..... - 21 -
- 4.2 Changing Firmware ..... - 22 -

- 4.2.1 Online Upgrade ..... - 22 -
- 4.2.2 Manual Upgrade ..... - 23 -
- 4.3 Console ..... - 24 -
  - 4.3.1 Output Tab ..... - 24 -
  - 4.3.2 FW Log Tab ..... - 25 -
  - 4.3.3 Timeout ..... - 25 -
- 4.4 Export/Import Setting Values ..... - 26 -
- 4.5 Reboot a Product ..... - 27 -
- 4.6 Factory Reset ..... - 27 -
- 5 Technical Support and Warranty ..... - 28 -**
  - 5.1 Technical Support ..... - 28 -
  - 5.2 Warranty ..... - 28 -
    - 5.2.1 Free Repair Services ..... - 28 -
    - 5.2.2 Charged Repair Services..... - 28 -
- 6 Precaution and Exemption from Liability ..... - 29 -**
  - 6.1 Exemption from Liability ..... - 29 -
    - 6.1.1 English version ..... - 29 -
    - 6.1.2 French version ..... - 30 -
- 7 Revision History ..... - 32 -**

# 1 Overview

## 1.1 Introduction

SCG-5608 is an industrial Console server with 8 RS232 ports. Users can remotely access 8 serial devices via this product.

## 1.2 Features

- 8 RS232 ports
- Support TLS v1.2
- Support frame delimiter function
- Support IPv6
- Self-developed O/S
- Industrial temperature range (-40℃ ~ +85℃)

## 1.3 Applications

- 1:8 on a local area network

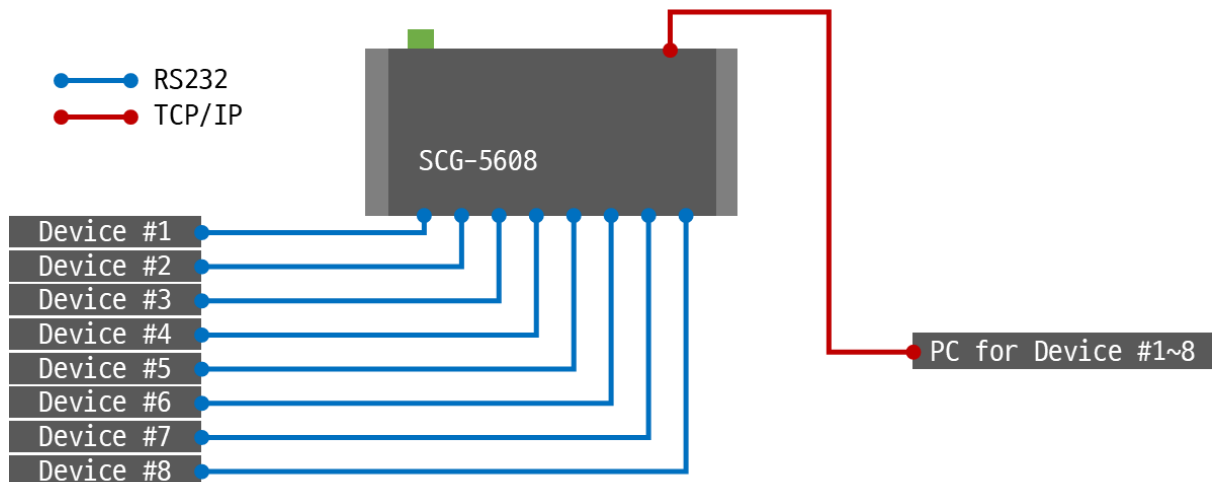


Figure 1-1 1:8 on a local area network

- 8:8 on a local area network

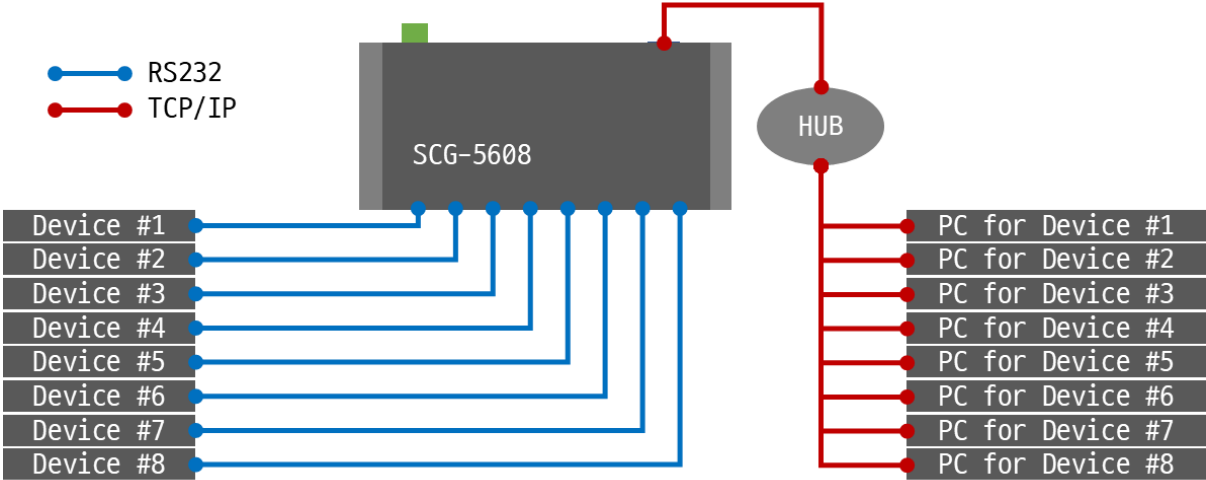


Figure 1-2 8:8 on a local area network

- Serial tunnelling on a local area network

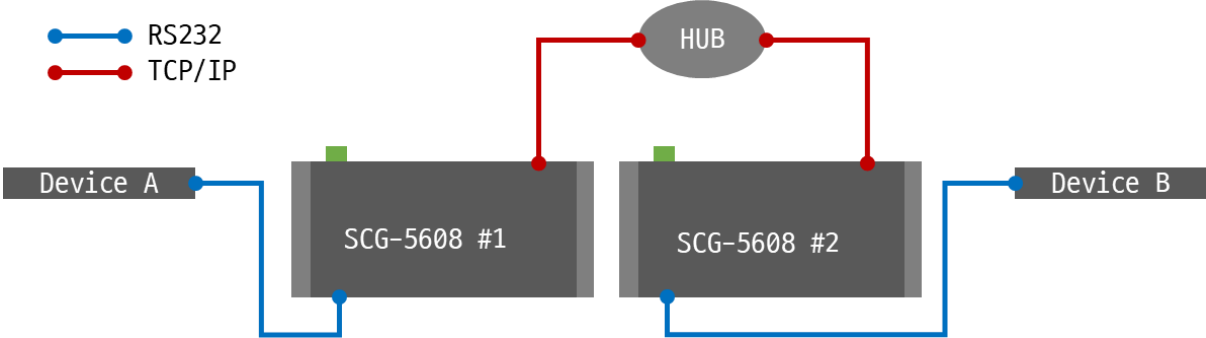


Figure 1-3 Serial tunnelling on a local area network

- 1:8 on the Internet

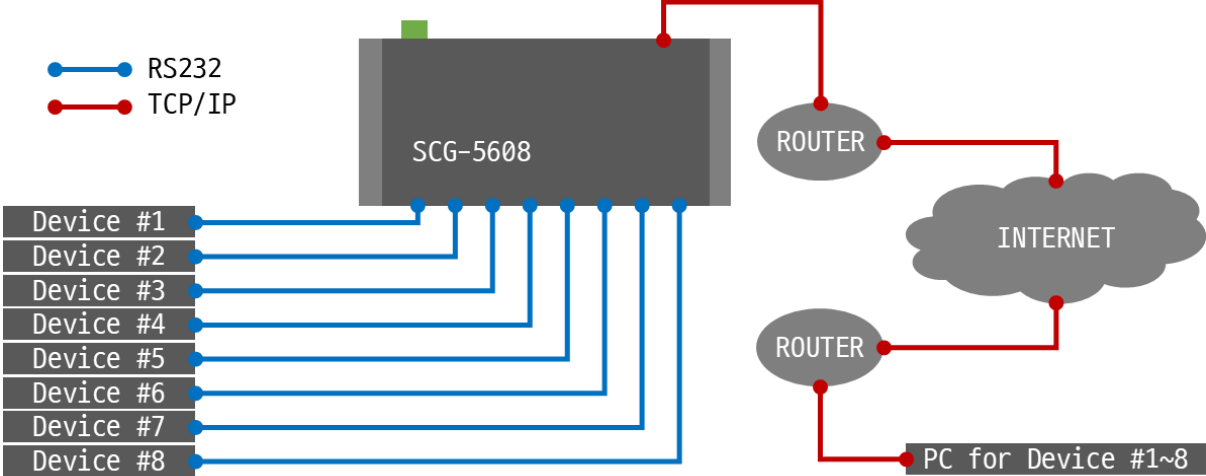


Figure 1-4 1:8 on the Internet

## 1.4 Specifications

Serial Physical Interface	
Serial Interface	RS232 – RXD, TXD, RTS, CTS, DTR, DSR, GND
Connector	8 pin RJ45
Serial Port Properties	
Baudrate	1,200 ~ 230,400 bps
Data Bits	8 bits, 7 bits with parity
Parity	None, Even, Odd, Mark, Space
Stop Bit	1, 2
Flow Control	None, RTS/CTS, Xon/Xoff
Network Physical Interface	
Wired LAN	10Base-T/100Base-TX Ethernet (RJ45) Ethernet Speed Auto Sense 1:1 or Cross-over Cable Auto Sense
Software Functions	
Protocols	IPv4/IPv6 Dual Stack, TCP/UDP, IP, ICMP, ARP, TELNET, DHCP, DNS, mDNS, TELNET COM Port Control Option (RFC2217), TLS
Security	Password for Configuration
Communication	TCP Server, TCP Client or UDP
Additional	Separator setting for packet fragmentation Sending MAC address Option
Indicators	
LED	PWR, RUN, LINK, ACT
Management	
spFinder	Configuration and Monitoring Tool
Dimension	
Size	180mm x 90mm x 27mm
Weight	about 422g
Operating Environment	
Input Voltage	PWR1 – Terminal Block, DC8.5V~38V PWR2 – DC jack, DC5V
Protection	Reverse Voltage Protection / Surge Protection
Current Consumption	typically, 2.2W
Operating Temperature	-40°C ~ +85°C
Storage Temperature	-40°C ~ +85°C
Certificate	
KC	Registration (KS C 9832, KS C 9835)
CE	EMC 2014/30/EU, RoHS 2011/65/EU

Table 1-1 Specifications

## 1.5 Interfaces

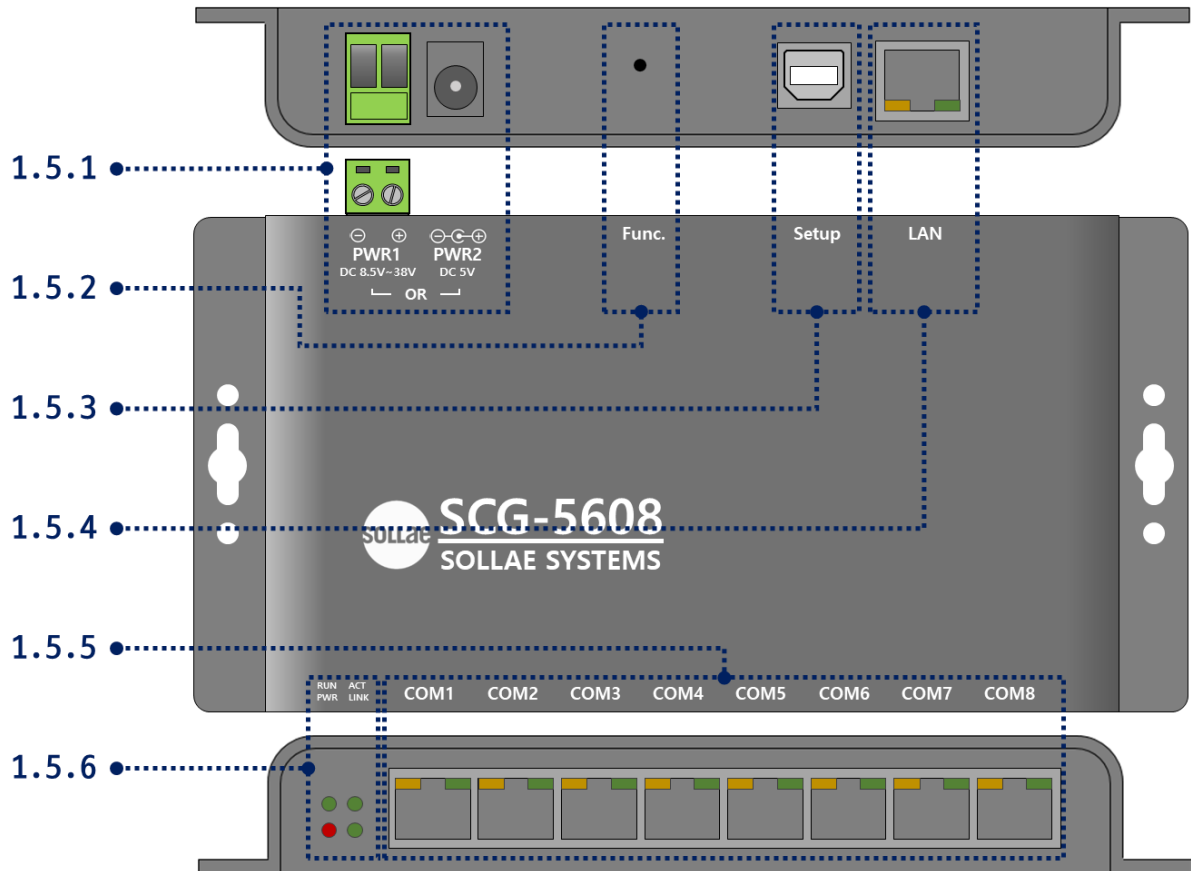


Figure 1-5 Interfaces

### 1.5.1 Power

The product's power is supplied through the PWR1 port or PWR2 port, and it is not a problem to connect both ports at the same time.

- PWR1 port

The input voltage is DC 8.5V to 38V. This port is interfaced with a 2-pole terminal block.

- PWR2 port

The input voltage is DC 5V. Specifications of this port is as follows:

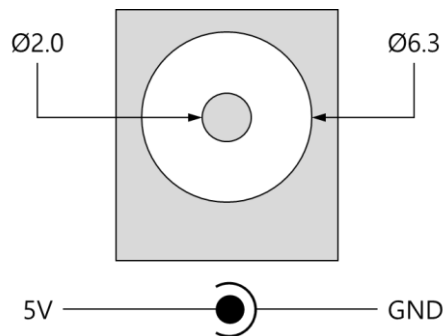


Figure 1-6 PWR2 port

### 1.5.2 Function Button

This button is used to implement a factory reset.

### 1.5.3 SETUP Port

This port is for administrative use only.

### 1.5.4 Ethernet

SIG-5608 provides 10/100Mbps Ethernet. The pin assignment is as follows:

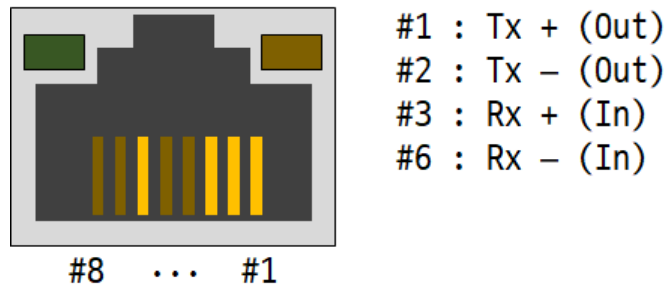


Figure 1-7 Ethernet

- LED of the Ethernet

When a network is NOT connected: Green & Orange

Green & Orange

When a network is connected: Green

Green

When a 100Mbps network is connected: Orange

Orange

When sending/receiving data on a 100Mbps network: Orange

Orange



### 1.5.5 RS232 Port

This port is a 1 X 8 RJ45 connector.

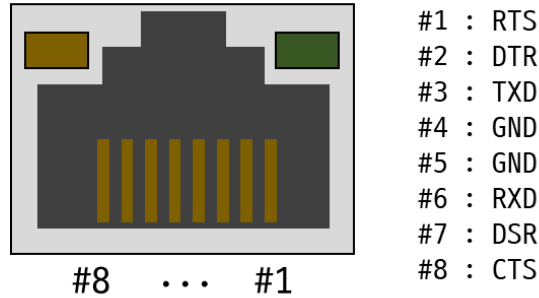


Figure 1-8 RS232 Port

- RS232 pin assignment

Num	Name	Description	I/O	Wiring
1	RTS	Request To Send	OUT	Optional
2	DTR	Data Terminal Ready	OUT	Optional
3	TXD	Transmit Data	OUT	Required
4	GND	Ground	-	Required
5	GND	Ground	-	Required
6	RXD	Receive Data	IN	Required
7	DSR	Data Set Ready	IN	Optional
8	CTS	Clear To Send	IN	Optional

Table 1-2 RS232 pin assignment

☞ *The DTR(#2) pin is activated when this device is connected on TCP or is in the UDP mode.*

- LED of RS232 port

When no TCP connection is established: Green & Orange

Green & Orange

When a TCP connection is established or UDP mode: Green & Orange

Orange

Green

When receiving data from the serial under TCP connected or UDP mode: Orange

Orange

When sending data to the serial under TCP connection or UDP mode: Green

Green

### 1.5.6 LED

LED operations by device status are as follows:

When the supplied power is stable: PWR



When the supplied power is NOT stable: PWR



When an IP address is NOT assigned: LINK & ACT



When a network is connected with and IP address assignment: LINK & ACT



When a network is NOT connected and IP address assignment: LINK & ACT



When sending/receiving data on a network: ACT



## 2 Preparation

### 2.1 Installing the Setting Tool

You need a program which is called spFinder to use this product. Download the program on our web site and install it on your PC.

Functions of the spFinder are as follows:

- Searching products connected via network and USB
- Setting products
- Monitoring status of products

### 2.2 Connecting a Product

Connect a product with your PC via a LAN cable or a USB cable. In the case of using a LAN cable, note that your PC and the product should be on the same local area network.

### 2.3 Searching Devices

Run spFinder on your PC and press the search button. If you select the product found, the setup menu appears on the right.

### 2.4 Logging in

Before accessing the searched product, you need to log in first. The default ID and password are as follows:

Division	Default Values
ID	scg-5608
Password	scg-5608

Table 2-1 The default values of ID and password

*☞ If you search the product via network and it has the default value for a password, spFinder automatically processes the login.*

## 3 Settings

### 3.1 Network

#### 3.1.1 Obtain an IP address automatically

This product can automatically obtain an IP address by DHCP. A DHCP server is required to use this.

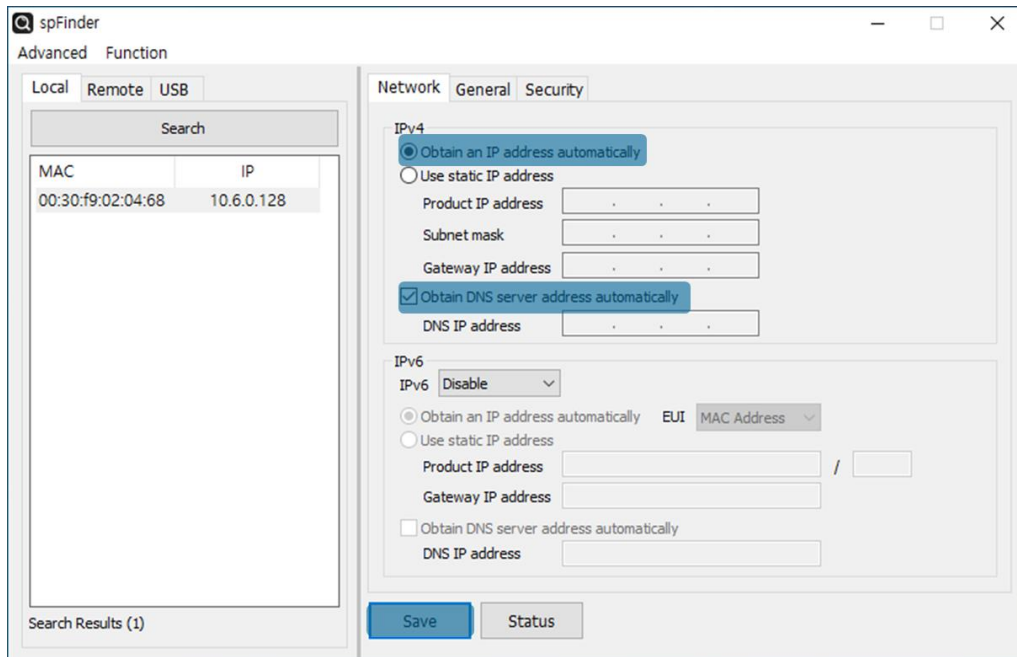


Figure 3-1 Obtain an IP address automatically

- Select the [Obtain an IP address automatically].
- Check the [Obtain DNS server address automatically] and click the [Save] button.

### 3.1.2 Use a Static IP address

You can set a static IP address to this product.

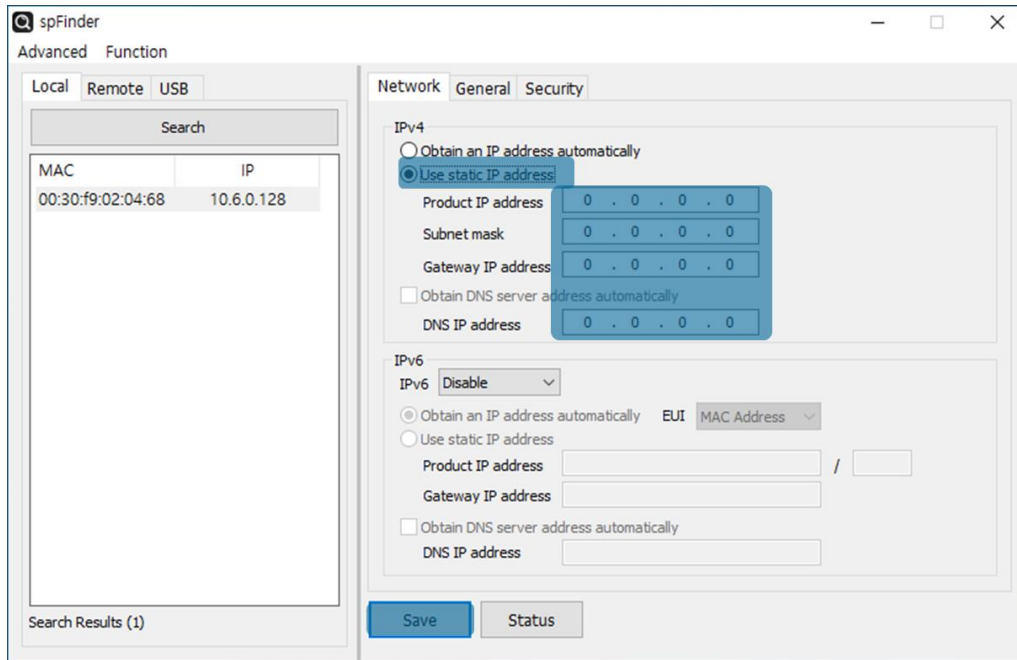


Figure 3-2 Use a static IP address

- Select the [Use static IP address].
- Set the [Local IP address], [Subnet mask], [Gateway IP address] and [DNS IP address].
- Click the [Save] button.

### 3.2 General

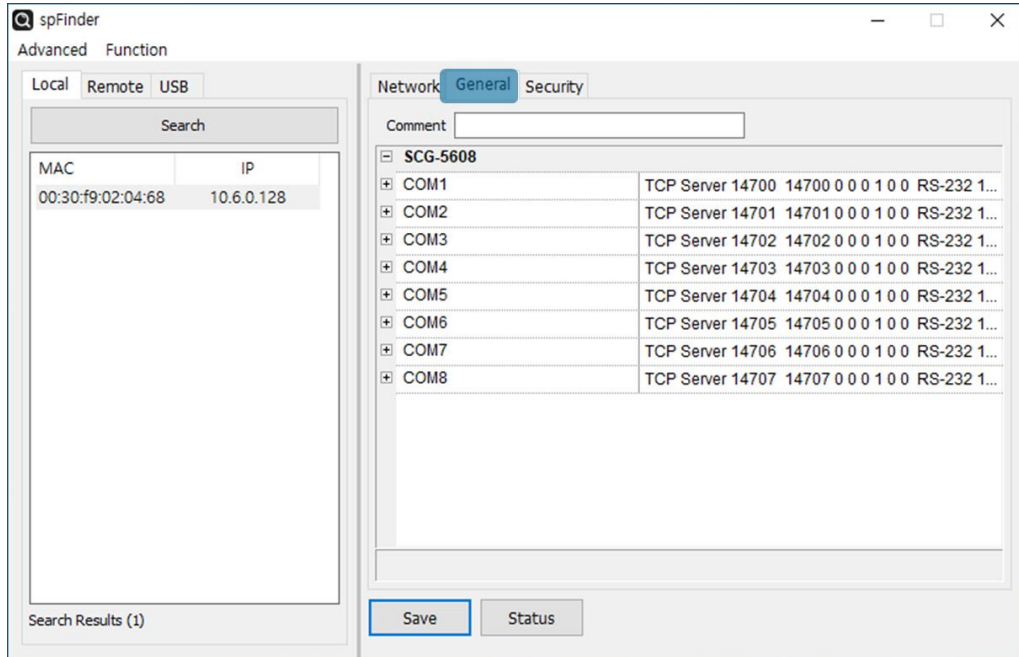


Figure 3-3 General

#### 3.2.1 Comment

This setting is for storing the product description. The maximum setting size of this item is 32 bytes.

#### 3.2.2 TCP/IP

- Connection Mode

This item selects the TCP connection method. The default is TCP Server.

Connection Mode	Operations	Required Values
TCP Server	Passive Connection	Local Port
TCP Client	Active Connection	Peer Address, Peer Port
Connectionless (UDP)	No connection	Local Port, Peer Address, Peer Port

Table 3-1 Connection Mode

- Local Port

This item is to set the local port number of the device for TCP connection and UDP data reception. It can be set from 0 to 65535, and the default values are 14700 to 14707.

- Peer Address

This item is to set the IP address or host name of the destination host for TCP connection or UDP data transmission.

- Peer Port

This item is to set the destination port number of the device for TCP connection and UDP data transmission. It can be set from 0 to 65535, and the default values are 14700 to 14707.

### 3.2.3 Advanced

- Connection Timeout (Unit: sec)

This item is to set a timeout for terminating a TCP connection. If there is no received data during the time set in this item, the TCP connection is terminated. The unit is seconds and can be set between 0 and 3600. Default value is 0 which means no termination on the TCP connection.

- Event Count[Byte]

This item is to set the number of bytes for specific event operation for each connection mode. Default value is 0.

Connection mode	Value	Operation
TCP Server	0	Empty the serial receive buffer when a new TCP connection is made.
	otherwise (less than 1,024 is highly recommended)	Send the data in serial receive buffer to TCP when a new TCP connection is made.
TCP Client	0	Immediately and repeatedly try to connect to TCP.
	Otherwise (less than 1,024 is highly recommended)	Try to connect to TCP when received byte count is equal or greater than this value. Send the data in serial receive buffer to TCP when a new TCP connection is made.
Connectionless (UDP)	0	Does not specify the UDP outgoing packet size.
	Otherwise (less than 1,024 is highly recommended)	Specify the UDP outgoing packet size to this value.

Table 3-2 Event Count

- Option

Item	Description	Default Value
Secure(TLS)	Enable/disable TLS function	Disable
TCP No Delay	Enable/disable TCP No Delay function	Disable
RFC2217	Enable/disable RFC2217 function	Disable
Send MAC ID	Enable/disable sending MAC ID function	Disable

Table 3-3 Option

- Option: Secure(TLS)
 

This function implements a secure communication on a TCP session via TLS(v1.2). The counterpart should also support the TLS to implement secure communication by this function.
- Option: TCP No Delay
 

This function does not add a delay of about 40 milliseconds added by default when creating a TCP segment.

If this function is used, the product sets the frame interval of serial reception data to 2-character times and creates a TCP segment for each frame.

This function can be used when users want to transmit serial data through TCP as quickly as possible. On the other hand, this feature increases the number of TCP segments, which in turn may increase the network load.
- Option: RFC2217
 

This function transmits/receives serial port settings and status information through TCP. This feature allows remote communication of the status of RS232 control pins (RTS/CTS, DTR/DSR). The counterpart should also support the RFC2217 to use this function.
- Option: Send MAC ID
 

This function transmits the MAC address to a remote host. This feature allows users to identify each product among a lot of products.
- Separator[HEX]
 

This item is to set a delimiter for separating each frame from serial reception data. This product makes a TCP segment with a frame which is separated by the delimiter and sends it. Note that the frame size for each frame cannot be larger than 1,024 bytes. From one byte to 4 bytes of hexadecimal format is used for this setting.

Example	Size	Label	Value
End Of Text	1 Byte	EOT	03
End Of Transmission	1 Byte	EOF	04
Carriage Return	1 Byte	CR	0d
Carriage Return + Line Feed	2 Bytes	CR + LF	0d0a

Table 3-4 Separator[HEX] setting examples

*The separator function should be used with TCP No Delay function.*



## 3.2.4 Serial Port

Parameter	Option	Default Value
Serial Type	RS232	RS232
Baudrate	1200 ~ 230400	19200
Parity	NONE, EVEN, ODD, MARK, SPACE	NONE
Data Bits	8, 7(required to use a parity bit)	8
Stop Bits	1, 2	1
Flow Control	NONE, RTS/CTS, XON/XOFF	NONE

Table 3-5 Serial Port

### 3.3 Security

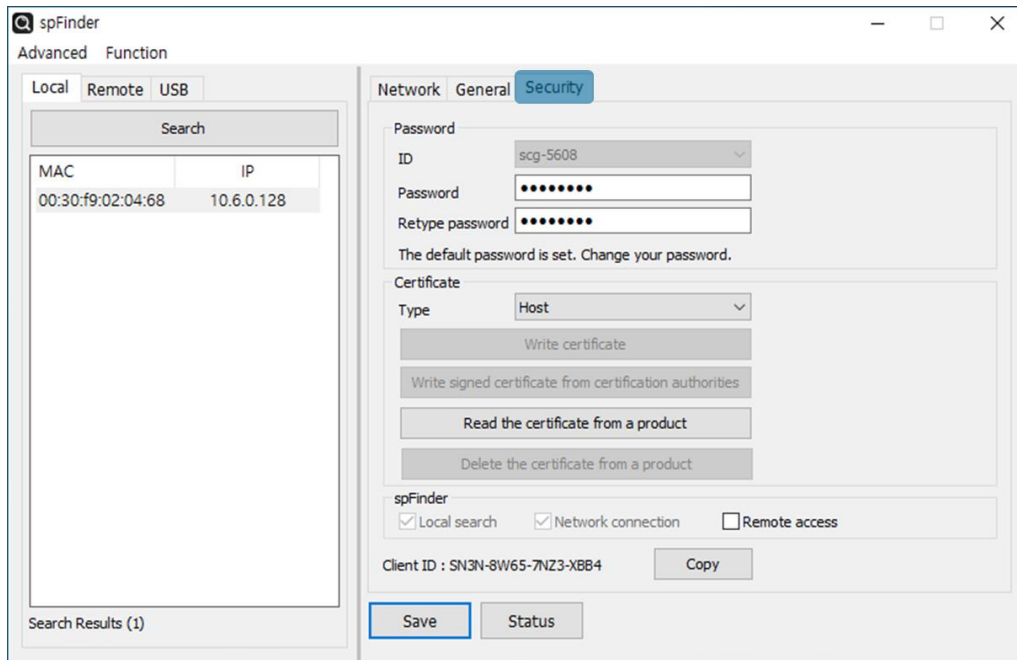


Figure 3-4 Security

#### 3.3.1 Password

Both ID and password are required to access this product. Note that changing the default password to another is highly recommended for security. The password should be longer than 8 characters.

- Input a password to use to [Password] and [Confirm password].
- Click the [Save] button.

#### 3.3.2 Certificate

This is for reading a certificate stored in your product.

#### 3.3.3 spFinder

These items are related to spFinder use.

- Local search
 

If this item is not checked, you will not be able to search for or connect to the product on your local network. This item can be set only when the product is connected via USB.
- Network connection
 

If this item is not checked, the product cannot be searched on the local network and the product cannot be connected on the local or remote network. This item can be set only when the product is connected via USB.

- Remote access

If this item is checked, the product can be connected from the remote network. The port number for this connection is TCP 57457. For security, this item is unchecked by default.

### 3.3.4 Client ID

This is NOT available for this product.

## 4 Management

### 4.1 Checking Status

This is a function to view the current status of the product. Information in the [Status] window is automatically updated every second. After searching and connecting the product with spFinder, press the [Status] button to display this window. When you open this window, the spFinder connects to the product and keeps the connection until you close the window or time out. While the connection is maintained, other hosts cannot access the product using the spFinder.

#### 4.1.1 Product Information

- Product Information Window

This area shows some major information of your product.

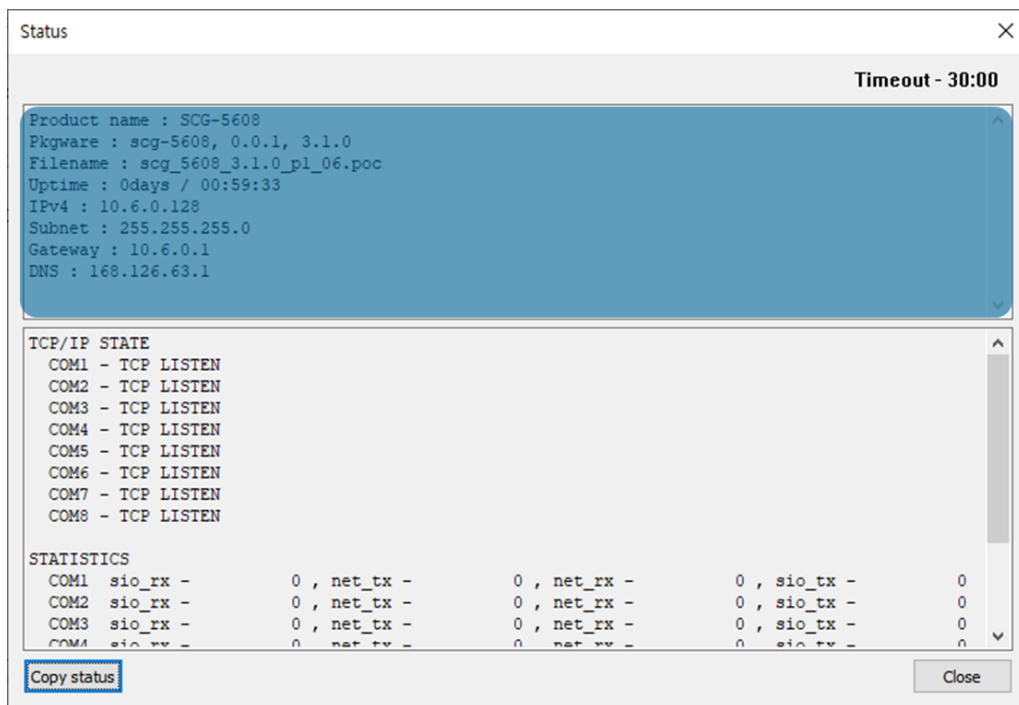


Figure 4-1 Product Information Window

- Product Information List

Item	Description
Product name	Product name
Pkgware	Model name, package version, Firmware version
File name	File name
Uptime	Elapsed time since it boots up (day / hour:min:sec)
IPv4	Assigned IPv4 address
Subnet	Assigned subnet mask
Gateway	Assigned gateway IP address
DNS	Assigned DNS server IP address

Table 4-1 Product Information List

#### 4.1.2 Communication Status

- Communication Status Window

This area shows some communication status of your product. This area is refreshed every second.

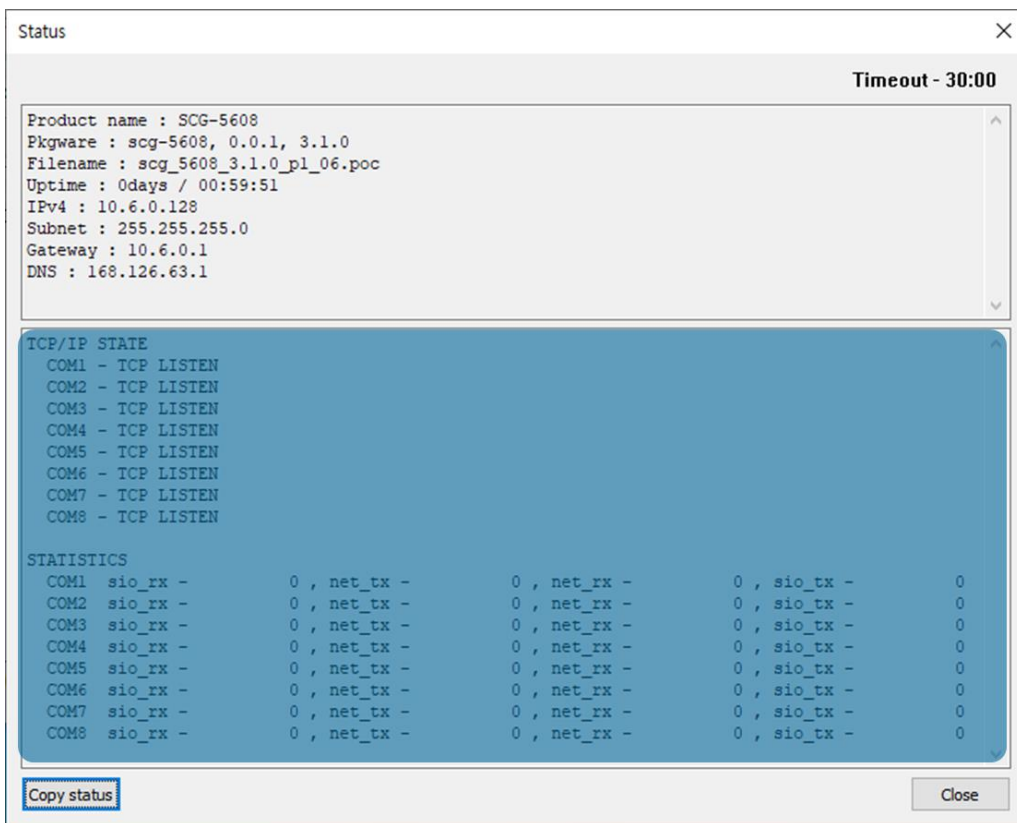


Figure 4-2 Communication Status Window

● TCP/IP STATE

Status	Description
TCP LISTEN	Waiting for a TCP connection
TCP CLOSED	A TCP session is disconnected
TCP CONNECTED	A TCP session is connected (shows IP address and port number of connected host)
TCP CONNECTING	Connecting a TCP session
TCP DISCONNECTING	Disconnecting a TCP session
SSL LISTEN	Waiting for a TLS connection
SSL CLOSED	A TLS session is disconnected
SSL CONNECTED	A TLS session is connected (shows IP address and port number of connected host)
SSL CONNECTING	Connecting a TLS session
SSL DISCONNECTING	Disconnecting a TLS session
UDP	UDP mode

Table 4-2 TCP/IP STATE

● STATISTICS

Item	Description
sio_rx	Statistics of incoming data from the serial port
net_tx	Statistics of outgoing data to the TCP session
net_rx	Statistics of incoming data from the TCP session
sio_tx	Statistics of outgoing data to the serial port

Table 4-3 STATISTICS

### 4.1.3 Timeout

This is the timeout display function that appears in the upper right of the status window. When this time reaches zero, the connection between spFinder and the product is lost. The initial value is 30 minutes. If you move the mouse pointer in the internal area of the status window, the timer is reset to the initial value again.

### 4.1.4 Copy status

Clicking this button copies all information displayed in the current status window to the clipboard.

## 4.2 Changing Firmware

New firmware can be released when adding functions or fixing bugs. If you are using old firmware, you can upgrade it to the latest version. Firmware can be upgraded online or manually via spFinder.

### 4.2.1 Online Upgrade

If you can access to the Internet by your PC, the Firmware can be upgraded online.

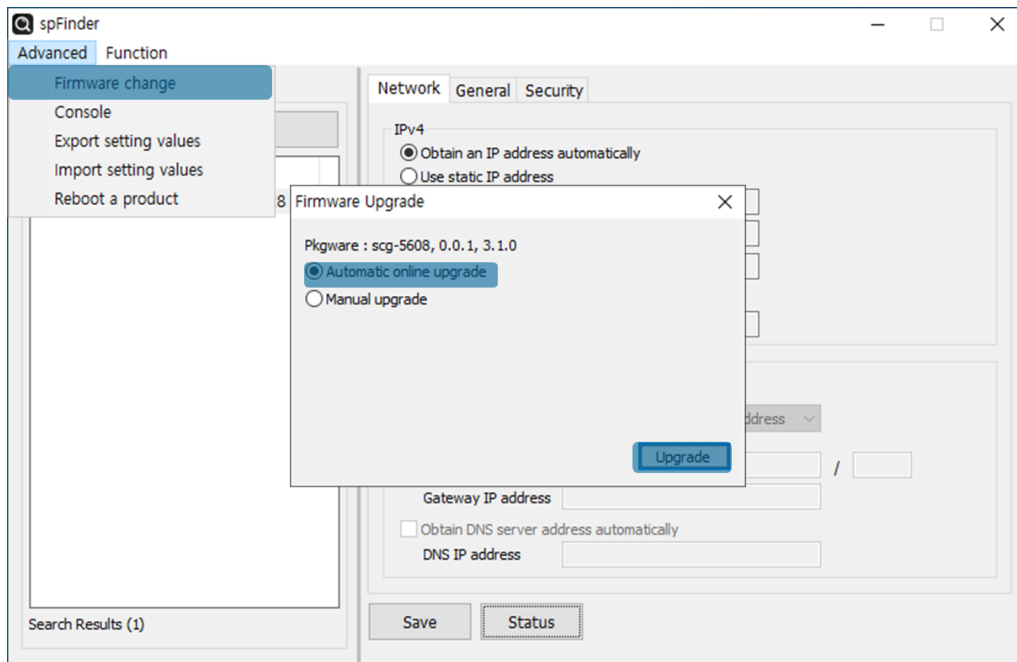


Figure 4-3 Online Upgrade

- Search and Connect to your product by spFinder.
- Click [Advanced] > [Firmware change] menu.
- Click [Upgrade] button selecting [Automatic online upgrade] menu.

## 4.2.2 Manual Upgrade

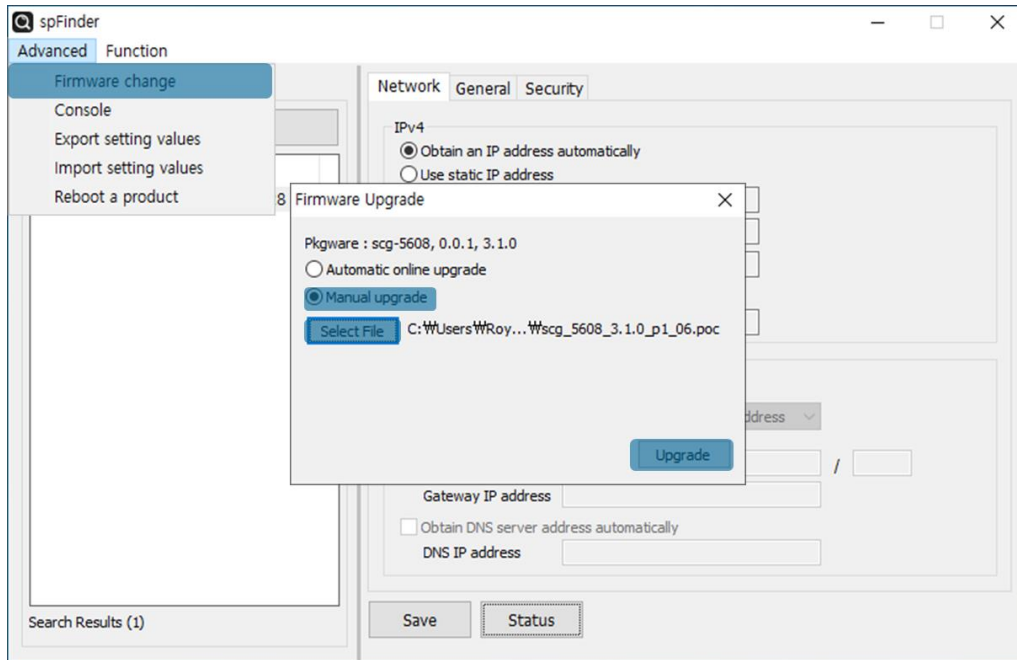


그림 4-1 Manual Upgrade

- Download a Firmware file to your PC.
- Search and connect to your product by spFinder.
- Click [Advanced] > [Firmware Change] menu.
- Select to [Manual upgrade] on the [Firmware Upgrade] window.
- Click [Select File] button and select the Firmware file on you PC
- Click [Upgrade] button.



## 4.3 Console

The console function analyzes and displays the Modbus frames sent and received by the product.

After searching and connecting the product with spFinder, click [Console] in the [Advanced] menu to display the console window. When you open this window, the spFinder connects to the product and keeps the connection until you close the window or time out. While the connection is maintained, other hosts cannot access the product using the spFinder.

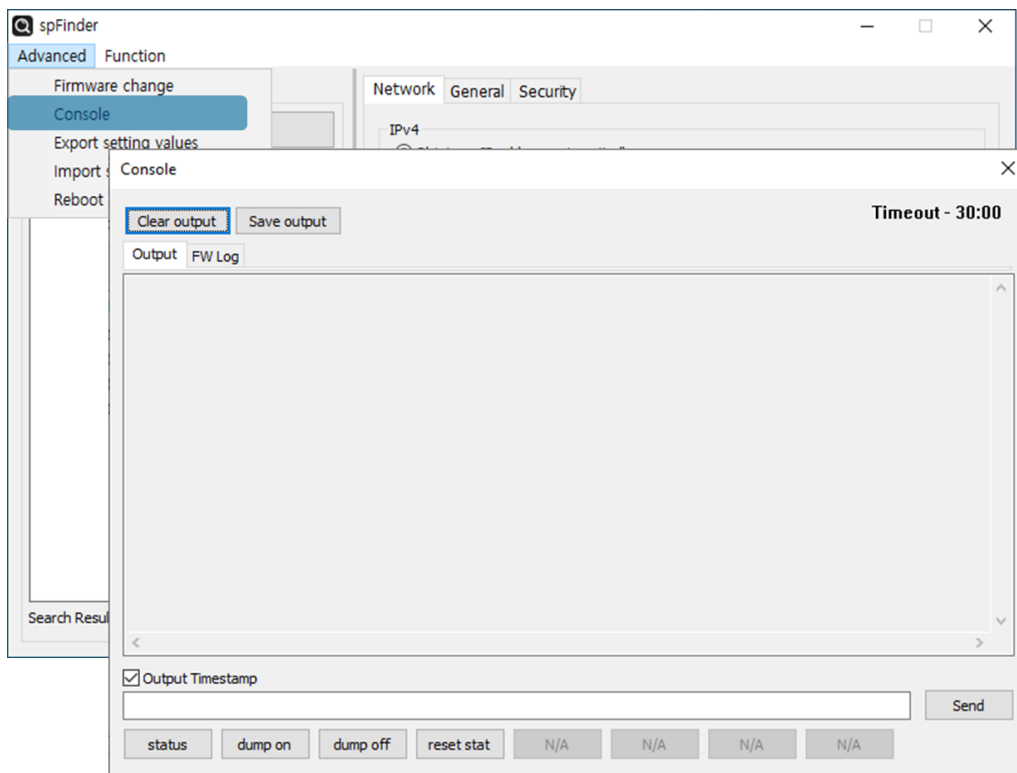


Figure 4-4 Console

### 4.3.1 Output Tab

This tab displays console messages.

- Clear output

Pressing this button clears all output messages on the Output tab.

- Save output

Press this button to save the message to be output to the Output tab as a file. While saving the message as a file, the size of the saved file is displayed, and the Timeout function does not work.

- status

Pressing this button outputs product status information on the Output tab.

- dump on  
Pressing this button starts printing communication data out on the network to the Output tab.
- dump off  
Pressing this button stops printing communication data out on the network to the Output tab.
- reset stat  
Press this button to reset all the communication status information statistics of the product.

#### 4.3.2 FW Log Tab

This tab displays the log message from Firmware.

#### 4.3.3 Timeout

This is the timeout display function that appears in the upper right of the console window. When this time reaches zero, the connection between spFinder and the product is lost. The initial value is 30 minutes. If you move the mouse pointer in the internal area of the console window, the timer is reset to the initial value again. This function does not work while using the [Save output] function.

### 4.4 Export/Import Setting Values

The [Export setting values] menu saves all setting values of the product as a file except for the password. The [Import setting values] menu loads setting values from a file which is saved by the [Export setting values] menu. Note that you need to click the [Save] button to apply the setting to your product. Find these functions at the [Advanced] menu.

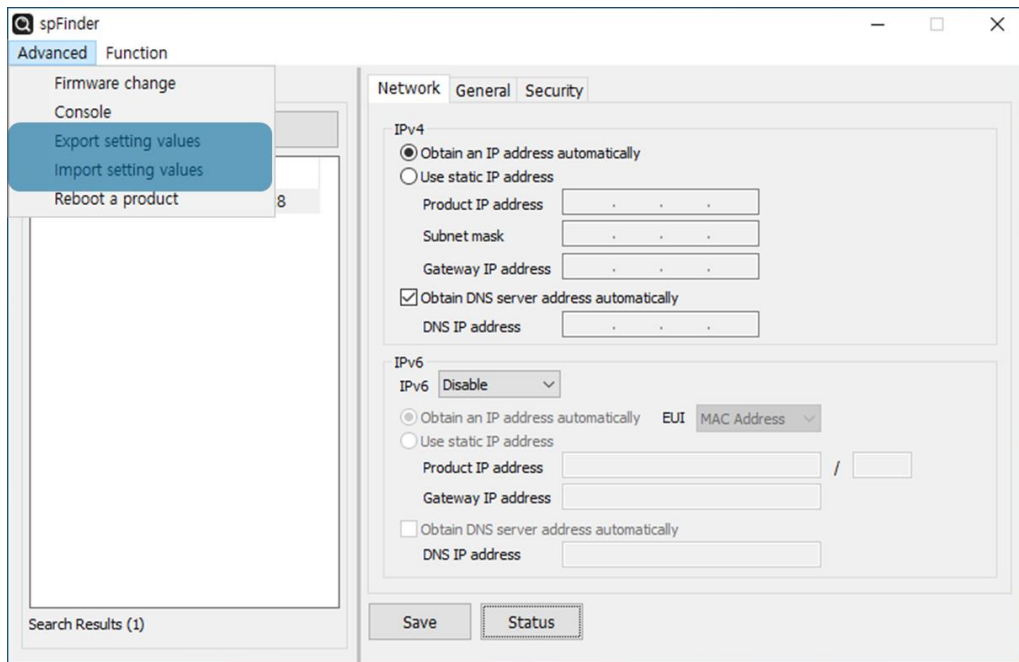


Figure 4-5 Export/Import Setting Values

### 4.5 Reboot a Product

This function is of rebooting a product.

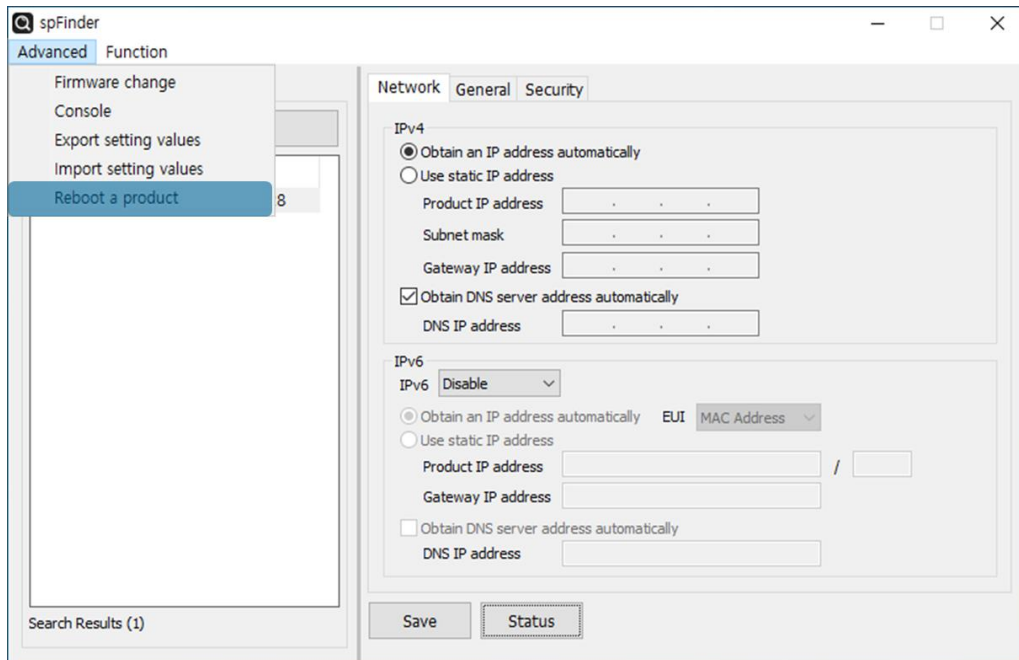


Figure 4-6 Reboot a Product

### 4.6 Factory Reset

Performing the Factory Reset, you can restore all the settings to the default including the password. Follow the procedure below by checking the status of RUN LED.

1. Press and immediately release the function button.



2. Press the function button and keep the state more than 5 seconds.



3. Once the RUN led is turned off, release the button within 2 seconds.



4. The factory reset is started when you release the button. After that, your product will reboot.



## 5 Technical Support and Warranty

### 5.1 Technical Support

If you have any question regarding operation of the product, visit Customer Support FAQ corner and the message board on Sollae Systems' web site or send us an email at the following address:

- E-mail: [support@eztcp.com](mailto:support@eztcp.com)
- Q & A board: <https://www.eztcp.com/en/support/qna.php>

### 5.2 Warranty

#### 5.2.1 Free Repair Services

For product failures occurring within 2 years after purchase, Sollae Systems provides free repair services or exchange the product. However, if the product failure is due to user's fault, repair service fees will be charged or the product will be replaced at user's expense.

#### 5.2.2 Charged Repair Services

For product failures occurring after the warranty period (2 years) or resulting from user's fault, repair service fees will be charged and the product will be replaced at user's expense.

## 6 Precaution and Exemption from Liability

### 6.1 Exemption from Liability

#### 6.1.1 English version

In no event shall Sollae Systems Co., Ltd. and its distributors be liable for any damages whatsoever (including, without limitation, damages for loss of profit, operating cost for commercial interruption, loss of information, or any other financial loss) from the use or inability to use the SIG-5608 even if Sollae Systems Co., Ltd. or its distributors have been informed of such damages.

The SIG-5608 is not designed and not authorized for use in military applications, in nuclear applications, in airport applications or for use in applications involving explosives, or in medical applications, or for use in security alarm, or for use in a fire alarm, or in applications involving elevators, or in embedded applications in vehicles such as but not limited to cars, planes, trucks, boats, aircraft, helicopters, etc.

In the same way, the SIG-5608 is not designed, or intended, or authorized to test, develop, or be built into applications where failure could create a dangerous situation that may result in financial losses, damage to property, personal injury, or the death of people or animals. If you use the SIG-5608 voluntarily or involuntarily for such unauthorized applications, you agree to subtract Sollae Systems Co., Ltd. and its distributors from all liability for any claim for compensation.

Sollae Systems Co., Ltd. and its distributors entire liability and your exclusive remedy shall be Sollae Systems Co., Ltd. and its distributors option for the return of the price paid for, or repair, or replacement of the SIG-5608.

Sollae Systems Co., Ltd. and its distributors disclaim all other warranties, either expressed or implied, including, but not limited to, the implied warranties of merchantability and fitness for a particular purpose, with respect to the SIG-5608 including accompanying written material, hardware and firmware.

## 6.1.2 French version

- Documentation

La documentation du boîtier SIG-5608 est conçue avec la plus grande attention. Tous les efforts ont été mis en œuvre pour éviter les anomalies. Toutefois, nous ne pouvons garantir que cette documentation soit à 100% exempt de toute erreur. Les informations présentes dans cette documentation sont données à titre indicatif. Les caractéristiques techniques peuvent changer à tout moment sans aucun préavis dans le but d'améliorer la qualité et les possibilités des produits.

- Copyright et appellations commerciales

Toutes les marques, les procédés, les références et les appellations commerciales des produits cités dans la documentation appartiennent à leur propriétaire et Fabricant respectif.

- Conditions d'utilisations et limite de responsabilité

En aucun cas Sollae Systems Co., Ltd. ou un de ses distributeurs ne pourra être tenu responsable de dommages quels qu'ils soient (intégrant, mais sans limitation, les dommages pour perte de bénéfice commercial, interruption d'exploitation commerciale, perte d'informations et de données à caractère commercial ou de toute autre perte financière) provenant de l'utilisation ou de l'incapacité à pouvoir utiliser le boîtier SIG-5608, même si Sollae Systems Co., Ltd. ou un de ses distributeurs a été informé de la possibilité de tels dommages.

Le boîtier SIG-5608 est exclusivement prévu pour un usage en intérieur, dans un environnement sec et non poussiéreux. Le boîtier SIG-5608 n'est pas prévu, ni autorisé pour être utilisé en extérieur, ni de façon embarquée dans des engins mobiles de quelque nature que ce soit (voiture, camion, train, avion, etc...), ni en milieu explosif, ni dans des enceintes nucléaires, ni dans des ascenseurs, ni dans des aéroports, ni dans des enceintes hospitaliers, ni pour des applications à caractère médical, ni dans des dispositifs de détection et d'alerte anti-intrusion, ni dans des dispositifs de détection et d'alerte anti-incendie, ni dans des dispositifs d'alarme GTC, ni pour des applications militaires.

De même, le boîtier SIG-5608 n'est pas conçu, ni destiné, ni autorisé pour expérimenter, développer ou être intégré au sein d'applications dans lesquelles une défaillance de celui-ci pourrait créer une situation dangereuse pouvant entraîner des pertes financières, des dégâts matériels, des blessures corporelles ou la mort de personnes ou d'animaux. Si vous utilisez le boîtier SIG-5608 volontairement ou involontairement pour de telles applications non autorisées, vous vous engagez à

soustraire Sollae Systems Co., Ltd. et ses distributeurs de toute responsabilité et de toute demande de dédommagement.

En cas de litige, l'entière responsabilité de Sollae Systems Co., Ltd. et de ses distributeurs vis-à-vis de votre recours durant la période de garantie se limitera exclusivement selon le choix de Sollae Systems Co., Ltd. et de ses distributeurs au remboursement de votre produit ou de sa réparation ou de son échange. Sollae Systems Co., Ltd. et ses distributeurs démentent toutes autres garanties, exprimées ou implicites.

Tous les boîtiers SIG-5608 sont testés avant expédition. Toute utilisation en dehors des spécifications et limites indiquées dans cette documentation ainsi que les court-circuit, les chocs, les utilisations non autorisées, pourront affecter la fiabilité, créer des dysfonctionnements et/ou la destruction du boîtier SIG-5608 sans que la responsabilité de Sollae Systems Co., Ltd. et de ses distributeurs ne puissent être mise en cause, ni que le boîtier SIG-5608 puisse être échangé au titre de la garantie.

- Rappel sur l'évacuation des équipements électroniques usagés

Le symbole de la poubelle barré présent sur le boîtier SIG-5608 indique que vous ne pouvez pas vous débarrasser de ce dernier de la même façon que vos déchets courants. Au contraire, vous êtes responsable de l'évacuation du boîtier SIG-5608 lorsqu'il arrive en fin de vie (ou qu'il est hors d'usage) et à cet effet, vous êtes tenu de le remettre à un point de collecte agréé pour le recyclage des équipements électriques et électroniques usagés. Le tri, l'évacuation et le recyclage séparés de vos équipements usagés permettent de préserver les ressources naturelles et de s'assurer que ces équipements sont recyclés dans le respect de la santé humaine et de l'environnement. Pour plus d'informations sur les lieux de collecte des équipements électroniques usagés, contacter votre mairie ou votre service local de traitement des déchets.



## 7 Revision History

Date	Version	Description	Author
2022.08.26.	1.0	1. Created	Roy Lee
2023.09.26.	1.1	1. Apply changes of software: v2.1.0	Roy Lee