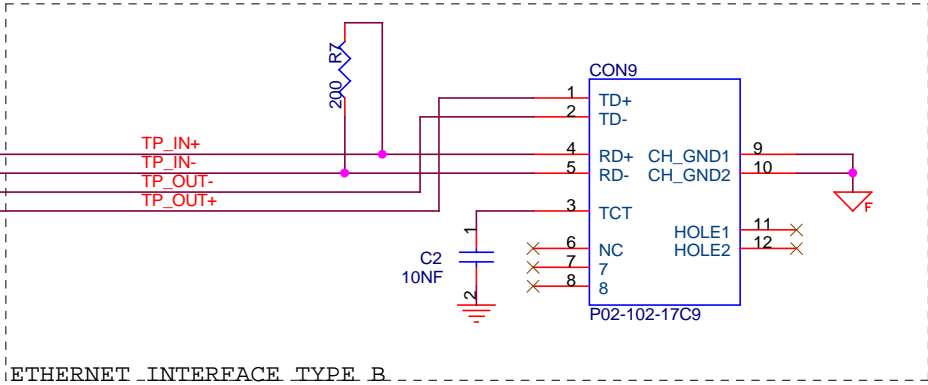


MADATORY PINS: VCC, GND, TXD, RXD
 TP_IN+, TP_IN-, TP_OUT+, TP_OUT-

ETHERNET INTERFACE TYPE IS SELECTABLE:
 TYPE A - YCL-20F001N or BESTJOB-EF5001
 TYPE B - SPEEDTECH-P02-102-17C9 (P02-B02-P7C9)



CAUTION!
RJ45 PIN NUMBER AND DIRECTION

Title		
EZL-50 APPLICATION CIRCUIT		
Size	Document Number	Rev
A4	<Doc>	V3.1
Date:	화요일, 5월 20, 2008	Sheet 1 of 1