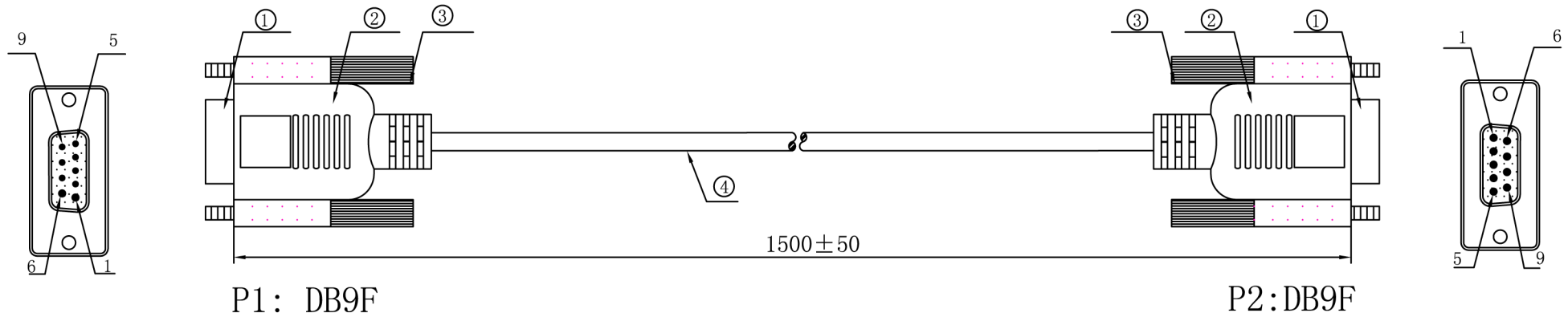
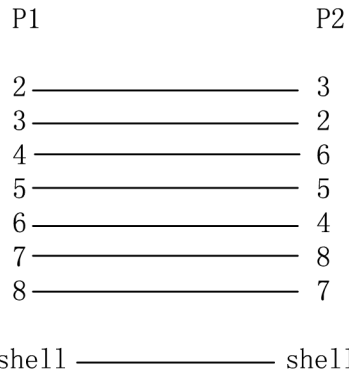


ITEM:DB9F-DB9F-X-1.5M-BLACK

NO	Drawing	Date	Ver.	Change records
1	Huang	2014-02-11	A	
2				



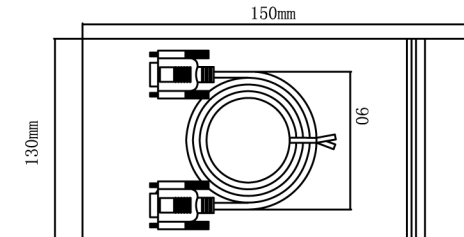
1.Contact figure



2.ELECTRICAL PROPERTIES

- A.Hi-Pot: 300V
- B.Contact Resistance: 5MΩ
- C.Insulation Resistance: 5Ω

3.Packing



Shenzhen Longgang District Hongkai Factory

ITEM	DESCRIPTION	QTY.	UNIT
1	DB9 Female Connector	2	PC
2	Black Molded PVC Hood	2	PC
3	Black #4/40 Thumbscrew	4	PC
4	NON-UL 28AWG*7C+AL-FOIL+DRAIN OD:5.0mm Black PVC Jacket L:1500mm	SEE	DWG.
5			
6			

Customer	Item No.	Page 1/1	
Drawing	Item name	Rate 1:1	
Check	Drawing Numbers	Ver. A	Unit mm
Approved	Date	2014-02-11	PART NO.